



DP1200

High performance industrial decoder

FEATURES

- Real time dual processor RISC decoder
- Dual high speed serial interface (up to 115.2 KBaud)
- Fast cabling system through terminal strips
- Easy connection to the auxiliary serial port
- 9-pin male D-sub connector on board
- 4 useful LED indicators + Power On/Off switch on board

APPLICATIONS

- Warehousing:
 - Conveyor sorting
 - Label verification
 - Picking systems
- Shopfloor:
 - Items and parts tracking
 - Packaging and compliance
 - Fork-lift
- High speed OEM:
 - Document handling machines
 - Packaging machines
 - Printing verification

GENERAL DESCRIPTION

High speed industrial applications requiring real time decoding, fast serial communication, and easy installation and maintenance, can all benefit from the features offered by the **DP1200** decoder.

Used in conjunction with Datalogic's wide range of laser scanners, the **DP1200** offers the best price/performance ratio solutions on the market: OEM machines can benefit from the compactness and very high scanning speed of the LS2200; manufacturing applications can take advantage of long distance reading and immunity to the ambient light of LS6100.

Many **DP1200** features, such as large terminal strips and easy-to-use glanded cable entry points, have been developed to simplify installation operations, while direct connection to a PC makes configuration and maintenance easier and faster.

The **DP1200** is equipped with two high speed serial interfaces, solving the most demanding applications and giving the reading station the best performance in multi-side/multi-point communication.

A reading system based on the **DP1200** is an up-to-date, high performance solution that takes advantage of the new generation of RISC processors, and benefits from a time-saving wiring system developed to simplify installation and maintenance, thus offering maximum reliability in any industrial environment.

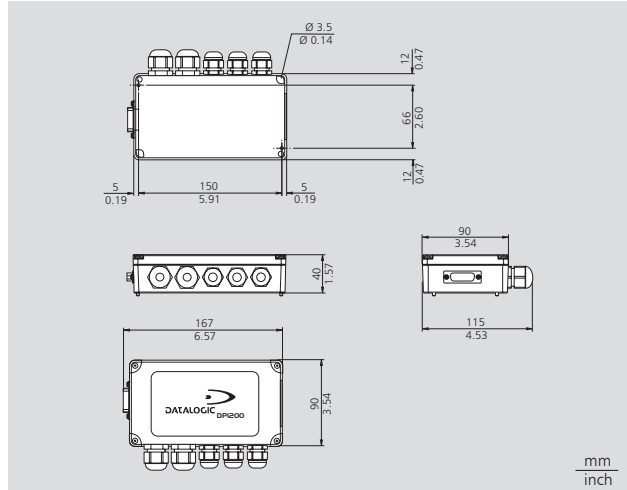
MODELS AND ACCESSORIES

MODEL	DESCRIPTION	ORDER NO.
DP1200-1000	Decoder M-Box	934201000
ACCESSORIES		
PG110/DVE-1212A	Power block (110 Vac)	B9751057
PG220/DVE-1212A	Power block (220 Vac)	B9751027
CAB-318	LS50/LS6100 connection cable	91A001010




SPECIFICATIONS

POWER SUPPLY	10 - 30 VDC
POWER CONSUMPTION	2 W max.
READABLE CODES	Code 2/5, Code 39, Code 93, Code 128, EAN/UPC, EAN 128, Codabar, Plessey, Pharmacode
MULTILABEL READING	Up to 6 different codes in the same reading phase
DECODING	Real Time
MAIN INTERFACE	RS232, optocoupled RS485 half and full-duplex, 20 mA C.L.
AUX. INTERFACE	RS232
BAUD RATE	Up to 115,200 baud (both interfaces)
INPUT SIGNALS	External Trigger, IN 1 (optocoupled NPN/PNP transistor)
OUTPUT SIGNALS	User-defined OUT1, OUT2 and OUT3 (optocoupled NPN transistor, open emitter, open collector)
PROGRAMMING METHOD	Via serial port (WINHOST™)
OPERATING MODES	'On line', 'Serial On-line', 'Automatic', 'Test', 'Verifier'
LED INDICATORS	Power ON, Good Read, External Trigger, Data Transmission
DIMENSIONS	167 x 90 x 40 mm (6.57 x 3.54 x 1.57 in.)
WEIGHT	About 310 g (10.93 oz.)
CASE MATERIAL	ABS
OPERATING TEMPERATURE	0 to 50 °C (32 to 122 °F)
STORAGE TEMPERATURE	-20 to 70 °C (-4 to 158 °F)
HUMIDITY	90% non condensing
VIBRATION RESISTANCE	IEC 68-2-6 test FC 1.5 mm; 10 to 55 Hz; 2 hours on each axis
SHOCK RESISTANCE	IEC 68-2-27 test EA 30 G; 11 ms; 3 shocks on each axis

DIMENSIONS



COMPATIBLE DATALOGIC READERS

	→		
MODEL		LS2200	LS6100
DIMENSIONS (mm)		50 x 40 x 28	101 x 83.5 x 66
SCANNING SPEED (scans/s)		1000 (2000)	800 (1000)
MAX. READING DISTANCE (mm)		230	1800
MAX. DEPTH OF FIELD (mm)		180	1600
MAX. RESOLUTION (mm)		0.076	0.20



Product and company names and logos referenced may be either trademarks or registered trademarks of their respective companies.

We reserve the right to make modifications and improvements

Datalogic S.p.A.
Italy
 Corporate Headquarters
 Tel. +39 051/3147011
 Fax +39 051/3147170
 sales@it.datalogic.com

Sales Italy
 Tel. +39 051/3147011
 Fax +39 051/3147170
 sales@it.datalogic.com

Sales International
 (Central and South America,
 Far East, Middle East / Africa)
 Tel. +39 041/5986511
 Fax +39 041/5986550
 info-intl@datalogic.com

Australia
 Datalogic PTY Ltd.
 Tel. +61 3/95589299
 Fax +61 3/95589233
 info@au.datalogic.com

Germany
 Datalogic GmbH
 Tel. +49 7026/6090
 Fax +49 7026/5746
 info@de.datalogic.com

Sweden
 Datalogic AB
 Tel. +46 40/385000
 Fax +46 40/385001
 info@se.datalogic.com

Austria
 Datalogic Handelsges mbH
 Tel. +43 2236/258820
 Fax +43 2236/258825
 info@at.datalogic.com

Japan
 Izumi Datalogic Co., Ltd.
 Tel. +81 78/3033400
 Fax +81 78/3033402
 idlmarke@izumi-datalogic.co.jp

United Kingdom
 Datalogic UK Ltd.
 Tel. +44 1582/464900
 Fax +44 1582/464999
 info@uk.datalogic.com

Denmark
 Datalogic A/S
 Tel. +45 70/239970
 Fax +45 70/239972
 info@dk.datalogic.com

Netherlands
 Datalogic Optic Electronics BV
 Tel. +31 346/572888
 Fax +31 346/568736
 info@nl.datalogic.com

USA
 Datalogic Inc.
 Tel. +1 859/6897000
 Fax +1 859/3344970
 info@us.datalogic.com

France
 Datalogic France SA
 Tel. +33 1/60921111
 Fax +33 1/60921340
 info@fr.datalogic.com

Spain
 Datalogic Iberia
 Tel. +34 91/3837755
 Fax +34 91/3837962
 info@es.datalogic.com

Datalogic Quality Partner

