



# DLS2000/2000-M

## Slot Reader

### Features

- Rugged metal housing
- Double illuminating diode
- Single optic resolution
- Red and Infrared versions
- Security and laminated code reading
- "Good Read" LED indicator and beeper
- RS232 and Wedge decoded versions (DLS2000-M)
- Plug-in cable set (DLS2000-M)

### Applications

- Time & attendance terminals
- WIP terminals
- Access control: parking lots, laboratories, work areas, ski-lifts, etc.
- Automatic payment and ticket acceptance in: sports areas, public transport, health services, etc.

### General Description

**DLS2000** is a family of bar code readers designed for data collection applications in both commercial and industrial environments.

The slot readers are available in both red and infrared versions with single resolution optics designed to read high and low density codes.

The double diode illumination method allows High First Read Rate on scratched and dirty bar codes and is capable of scanning multi-laminated cards.

The **DLS2000** family is composed of digital and decoded models.

The digital models - **DLS2000** - have pen output and can be connected to the compatible family of Datalogic decoders (Dataplus family and DLD1000) or to any external device that accepts pen input.

The decoded models - **DLS2000-M** - are available with RS232 or Wedge output, and can be connected to the host computer using the Datalogic DLC6065/90-M CCD reader plug-in cable set.

All the decoded versions are supplied with a quick reference bar code configuration manual. Should the default settings not match the particular application, the user can customize them through the serial channel or bar code strings.

The **DLS2000** slot family can be installed on a flat working plane or attached to the wall according to specific application needs.

## Models and Accessories

TYPE	LIGHT SOURCE		CONNECTOR		INTERFACE		ORDER NO.
	Red	Infrared	With	Without	Pen output	Multi-interface (RS232/Wedge)	
DLS2031R-20	•			•	•		900251020
DLS2032I-20		•	•		•		900251030
DLS2031I-20		•		•	•		900251050
DLS2032R-20	•		•		•		900251060
DLS2032R-M0	•		•			•	900251000
DLS2032I-M0		•	•			•	900251010
<b>ACCESSORIES FOR DECODED VERSIONS (DLS2000-M)</b>							
CAB327							90G001070
CAB350*							90A051230
CAB328*							90G001080
CAB320*							90G001000
CAB321**							90G001010
CAB322							90G001020
CAB324							90G001040
CAB325							90G001050
CAB326							90G001060
CAB323							90G001030
ADP-102							90ACC1030
ADP-103							90ACC1040
PG5 (110 Vac)							89751038
PG5 (220 Vac)							89751037

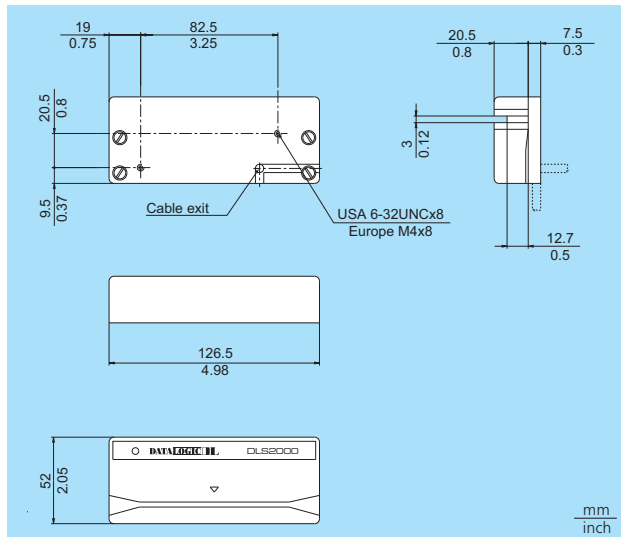
\*Power Supply available on pin 9 or 25 of the connector.

\*\* Also available CAB321 SH1738 (Cod. 90A051140) for Notebook and IBM SureOne cable, minidin connector.

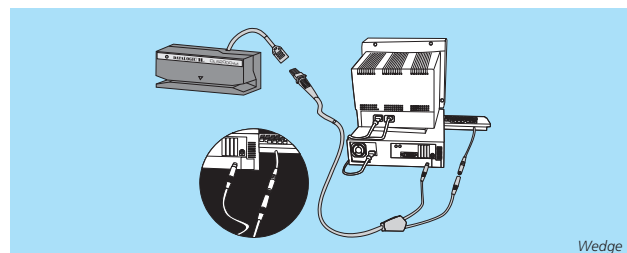
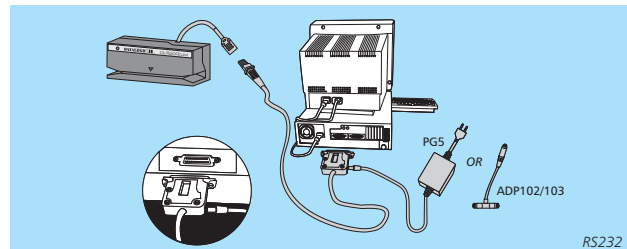
## Specifications

POWER SUPPLY	5 Vdc $\pm$ 10%	PROGRAMMING METHOD	(DLS2000-M only) Manual Automatic (with RS232) WinSetPlus
POWER CONSUMPTION	35 mA max. (DLS2000) 140 mA max. @ 5 Vdc (DLS2000-M)	WEIGHT	About 180 g without cable
DEPTH OF FIELD	3 mm	CASE	Cast aluminium
SCAN RATE	0.1 to 2 m/sec	CABLE LENGTH	2 m (6.6 ft): DLS2000; 60 cm (23.6 in): DLS2000-M
PRINT CONTRAST RATIO	15% red version; 30% infrared version	AMBIENT LIGHT CONDITIONS	10,000 lux (light angle 80°)
DIGITAL OUTPUT	NPN transistor with internal 2.7 kW pull-up resistance; white = 0V, black = 5V	OPERATING TEMPERATURE	0 to 55 °C (32 to 131 °F)
READING INDICATORS	Led, beeper	STORAGE TEMPERATURE	-20 to 60 °C (-4 to 140 °F)
INTERFACES	RS232, Wedge (PC IBM AT/PS2, IBM SURE ONE, IBM Terminals: 31xx, 34xx, 37xx, 3153)	HUMIDITY	90% non condensing
READABLE BAR CODES	2/5 family, EAN/UPC, Code 39 (plus Code 32 and CIP 39), Codabar, Code 128, Code 93	VIBRATION RESISTANCE	0.75 mm at 10 to 55 Hz, 2 hours sinewave, sweep time 1 octave/min. x,y,z
READING MODE	Single or autodiscrimination code (DLS2000-M only)	SHOCK RESISTANCE	30 G - 11 ms 3 shocks on the 6 planes half sine
		ENVIRONMENTAL PROTECTION	IP50

## Dimensions



## Connections



# DATA LOGIC DL

Bar Code & More

Product and company names and logos referenced may be either trademarks or registered trademarks of their respective companies.

**Australia**  
Datalogic PTY LTD.  
Tel. +61 3/95589299  
Fax +61 3/95589233  
sales@datalogic.com.au

**Austria**  
Datalogic Handelsges MBH  
Tel. +43 2236/258820  
Fax +43 2236/258825  
office@datalogic.co.at

**Denmark**  
Datalogic AB  
Tel. +45 44/209970  
Fax +45 44/209972  
info@datalogic.se

**France**  
Datalogic France S.A.  
Tel. +33 1/60921111  
Fax +33 1/60921340  
dlfrance@worldnet.fr

**Germany**  
Datalogic GmbH  
Tel. +49 7026/6080  
Fax +49 7026/5746  
info@datalogic.de

**Italy**  
Datalogic S.p.A.  
Tel. +39 051/6459300  
Fax +39 051/726562  
vendititalia@datalogic.it

**Japan**  
Izumi Datalogic Co., Ltd.  
Tel. +81 78/2723400  
Fax +81 78/2722003  
idlmarke@izumi-datalogic.co.jp

**Netherlands**  
Datalogic Optic Electronics BV  
Tel. +31 346/572888  
Fax +31 346/568736  
info@datalogic.nl

**Spain**  
Datalogic France S.A.  
Tel. +34 93/3221227  
Fax +34 93/4394136  
datalogic@sei.es

**Sweden**  
Datalogic AB  
Tel. +46 40/385000  
Fax +46 40/385001  
info@datalogic.se

**United Kingdom**  
Datalogic UK Ltd.  
Tel. +44 1582/464900  
Fax +44 1582/464999  
enquiries@datalogic.demon.co.uk

**U.S.A.**  
Datalogic Inc.  
Tel. +1 859/6897000  
Fax +1 859/3344970  
info@datalogic.com



We reserve the right to make modifications and improvements

Datalogic Quality Partner



These products are available through the worldwide network of Datalogic Quality Partners.